



>> About the Company

Established in 1990, Handyway Company is built solidly on a foundation of successful lock and cable manufacturing operation. Handyway manufacturing is among the leading high performance brands in bicycle accessories and vehicle towing locks. The products are sold in more than 25 countries world wide.

>> Highlights

Handyway Company is committed and continues the emphasis on product innovation and stronger security system. The company is one of the industry's premier manufactures, and with the best expertise in this field.



Cylinder / China Plant / Assembling / PVC Coating

>> Adding Value to Tomorrow

Handyway Company is determined to deliver outstanding results and performance in product innovation designed to enhance security, appearance, durability and superior quality. These strategies are necessary to lead Handyway forward to years of growth and prosperity.

INDEX

HITCH PIN LOCKS

- 02 KN-200 / KN-203 / KN-407 / KN-508
- 03 US-05 / US-06 / US-07
- 04 US-08 / US-09 / US-10
- 05 KN-03 / KN-05 / RL-F35S / HPL-KB04
- 06 HPL-KB05 / HPL-KB15 / HPL-K04 / HPL-K05
- 07 HPL-P05 / RL-F25/ PP-125 / PP-200
- 08 PAH-125 / PAH-200 / PX-125 / PX-200

COUPLER LOCKS

- 10 UCL-20 / UCL-40 / UCL-50 / TC-001 / HPL-407
- 11 RL-F07TS1 / RL-F17TS1 / RL-F07TS3 / RL-F17TS3 / RL-F17TS2

ACCESSORIES

- 13 SAFETY CABLE / QUICK LINK / HOOK
- 14 RC-01 / RC-02 / SC-03 / SC-04
- 15 STL-407-01 / STL-F25-02 / UL-801+SW-610
- 16 AC-101 / CL-W523 / CL-W623
- 17 CL-W103 / CL-W208 / CL-212 / CL-W428
- 18 WL-803 / WL-804

HITCH SELECTION GUIDE

HITCH PIN LOCKS

- >> **New** construction design with various patterns for option
- >> **Extra** strength-heat-treated, drop forged hardened steel alloy shaft
- >> **Magic** sleeve available
- >> **Power** coating available: red, blue, black





KN-200



- > KN-200-10 1/2" Diameter for Class I and II
- > KN-200-20 5/8" Diameter for Class III and IV
- > KN-200-30 With sleeve, fits 5/8" hole on 2" receiver

- Locking Hitch pin protects any hitch mounted item from theft
- Flat key design
- Nylon cap keeps dirt out
- Chrome Finish
- Pin can be locked without the key

KN-203



- > 5/8" locking hitch pin

- Works with all Class III/IV Hitches with 2" receiver tubes
- Keeps ball mounts, cargo carriers, and bike racks quiet and rattle-free
- Cannot be used with solid steel shank ball mounts

KN-407



- > KN-407-10 1/2" Diameter for Class I and II
- > KN-407-20 5/8" Diameter for Class III and IV
- > KN-407-30 With sleeve, fits 5/8" hole on 2" receiver

- Locking Hitch pin protects any hitch mounted item from theft
- Flat key design
- Nylon cap keeps dirt out
- Chrome Finish
- Pin can be locked without the key

KN-508



- > HITCH LOCK
- > KN-508-10 1/2" Diameter for Class I and II
- > KN-508-20 5/8" Diameter for Class III and IV
- > KN-508-30 with sleeve, fits 5/8" hole on 2" receiver

- 360° Rotating head for easy lock access
- Integrated key slot cover helps protect lock from dirt



US-05



- > US-05-10 1/2" Diameter for Class I and II
- > US-05-20 5/8" Diameter for Class III and IV
- > US-05-30 with sleeve, fits 5/8" hole on 2" receiver

- Button design for easy operating
- Chrome Finish

US-06



- > Hitch Pin
- > US-06-10 1/2" Diameter for Class I and II
- > US-06-20 5/8" Diameter for Class III and IV
- > US-06-30 with sleeve, fits 5/8" hole on 2" receiver

- Button design for easy operating
- Chrome plated

US-07



- > HITCH LOCK
- > US-07-10 1/2" Diameter for Class I and II
- > US-07-20 5/8" Diameter for Class III and IV
- > US-07-30 with sleeve, fits 5/8" hole on 2" receiver

- 360° Rotating head for easy lock access
- Push-button lock mechanism
- Integrated key slot cover helps protect lock from dirt



US-08



- > HITCH LOCK
- > US-08-10 1/2" Diameter for Class I and II
- > US-08-20 5/8" Diameter for Class III and IV
- > US-08-30 with sleeve, fits 5/8" hole on 2" receiver

- 360° Rotating head for easy lock access
- Push-button lock mechanism
- Integrated key slot cover helps protect lock from dirt



US-09



- > RECEIVER LOCK
- > US-09-10 1/2" Diameter for Class I and II
- > US-09-20 5/8" Diameter for Class III and IV
- > US-09-30 with sleeve, fits 5/8" hole on 2" receiver

- 360° Rotating head for easy lock access
- Push-button lock mechanism



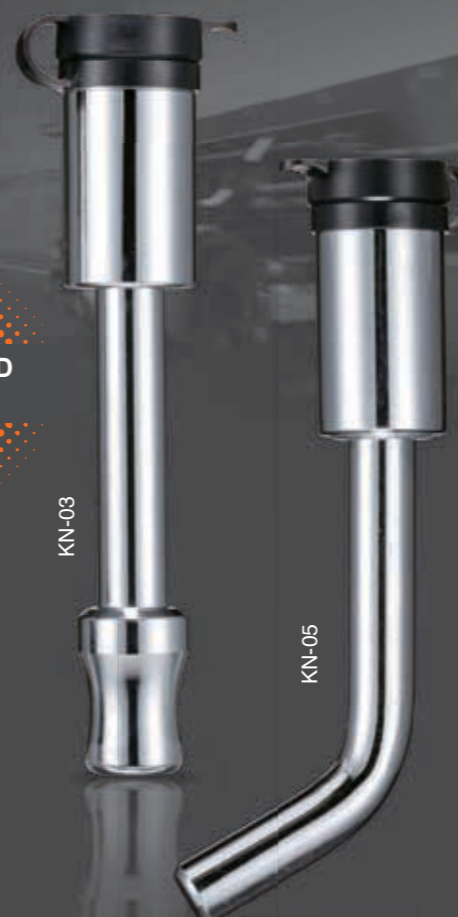
US-10



- > RECEIVER LOCK
- > US-10-10 1/2" Diameter for Class I and II
- > US-10-20 5/8" Diameter for Class III and IV
- > US-10-30 with sleeve, fits 5/8" hole on 2" receiver

- Resettable receiver lock
- Chrome finish

WITHSTAND
5000lb



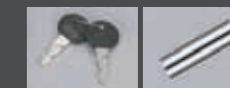
KN-03



- > KN-03-10 1/2" Diameter for Class I and II
- > KN-03-20 5/8" Diameter for Class III and IV
- > KN-03-30 With sleeve, fits 5/8" hole on 2" receiver

- Locking Hitch pin protects any hitch mounted item from theft
- Flat key design
- PVC cap keeps dirt out
- Chrome Finish
- Withstand 5000 lb pull test
- New construction design with various Patents
- Pin can be locked without the key

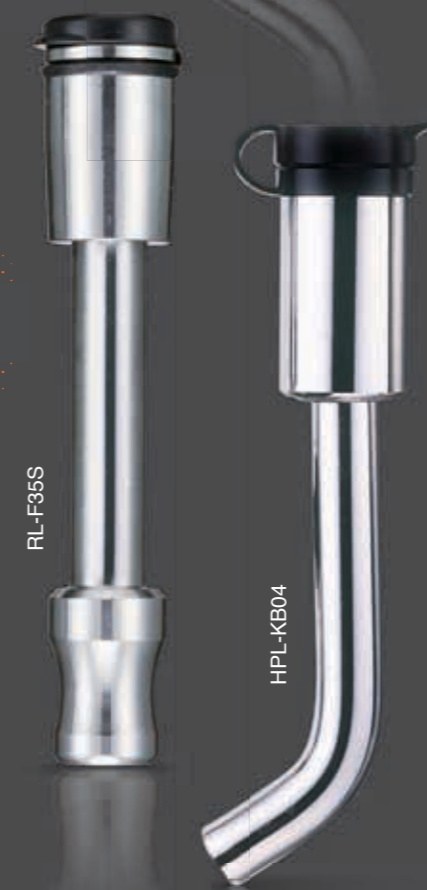
KN-05



- > KN-05-10 1/2" Diameter for Class I and II
- > KN-05-20 5/8" Diameter for Class III and IV
- > KN-05-30 With sleeve, fits 5/8" hole on 2" receiver

- Locking Hitch pin protects any hitch mounted item from theft
- Flat key design
- PVC cap keeps dirt out
- Chrome Finish
- Withstand 5000 lb pull test
- New construction design with various Patents
- Pin can be locked without the key

STAINLESS
STEEL



RL-F35S



- > RL-F35S-10 1/2" Diameter for Class I and II, with flat key
- > RL-F35S-20 5/8" Diameter for Class III and IV, with flat key
- > RL-F35S-30 With sleeve, fits 5/8" hole on 2" receiver
- > RL-R35S-10 1/2" Diameter for Class I and II, with round key
- > RL-R35S-20 5/8" Diameter for Class III and IV, with round key
- > RL-R35S-30 With sleeve, fits 5/8" hole on 2" receiver

- Locking Hitch pin protects any hitch mounted item from theft
- PVC cap keeps dirt out
- Stainless

HPL-KB04



- > 1/2" Diameter for Class I and II

- Locking Hitch pin protects any hitch mounted item from theft
- Flat key design
- Internal "O" ring and water tight cap to keep out dirt and corrosion
- Chrome Finish



HPL-KB05



- 5/8" Diameter for Class I and II
- Locking Hitch pin protects any hitch mounted item from theft
- Flat key design
- Internal "O" ring and water tight cap to keep out dirt and corrosion
- Chrome Finish

HPL-KB15



- > HPL-KB15-10 1/2" Diameter for Class I and II
- > HPL-KB15-20 5/8" Diameter for Class III and IV
- > HPL-KB15-30 With sleeve, fits 5/8" hole on 2" receiver

- Locking Hitch pin protects any hitch mounted item from theft
- Flat key design
- PVC cap keeps dirt out
- Internal "O" ring and water tight cap to keep out dirt and corrosion
- Chrome Finish
- Withstand 5000 lb pull test

HPL-K04



- > 1/2" Diameter for Class I and II

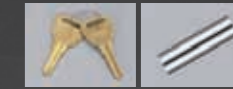
- Locking Hitch pin protects any hitch mounted item from theft
- Flat key design
- Internal "O" ring and water tight cap to keep out dirt and corrosion
- Chrome Finish

HPL-K05



- 5/8" Diameter for Class II and IV
- Locking Hitch pin protects any hitch mounted item from theft
- Flat key design
- Internal "O" ring and water tight cap to keep out dirt and corrosion
- Chrome Finish

HPL-P05



- > HPL-P05-10 1/2" Diameter for Class I and II
- > HPL-P05-20 5/8" Diameter for Class III and IV
- > HPL-P05-30 With sleeve, fits 5/8" hole on 2" receiver

- Locking Hitch pin protects any hitch mounted item from theft
- PVC cap keeps dirt out
- Chrome Finish

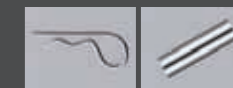
RL-F25



- > RL-F25S-10 1/2" Diameter for Class I and II, with flat key
- > RL-F25S-20 5/8" Diameter for Class III and IV, with flat key
- > RL-F25S-30 With sleeve, fits 5/8" hole on 2" receiver
- > RL-R25S-10 1/2" Diameter for Class I and II, with round key
- > RL-R25S-20 5/8" Diameter for Class III and IV, with round key
- > RL-R25S-30 With sleeve, fits 5/8" hole on 2" receiver

- Locking Hitch pin protects any hitch mounted item from theft
- PVC cap keeps dirt out
- Chrome Finish

PP-125



- > PP-125-10 1/2" Diameter for Class I and II
- > PP-125-20 with sleeve, fits 5/8" hole on 2" receiver

- 1/2" Diameter for Class I and II
- Solid Steel, zinc plated with safety clip
- Pin and Clip included with all Class I and II hitches

PP-200



- > 5/8" Diameter for Class III and IV

- Solid Steel, zinc plated with safety clip
- Pin and Clip included with all Class I and II hitches





PAH-125



- > PAH-125-10 1/2" Diameter for Class I and II
- > PAH-125-20 with sleeve, fits 5/8" hole on 2" receiver

- 1/2" Diameter for Class I and II
- Solid Steel, zinc plated with safety clip
- Pin and Clip included with all Class I and II hitches

PAH-200



- > 5/8" Diameter for Class III and IV

- Solid Steel, zinc plated with safety clip
- Pin and Clip included with all Class I and II hitches



PX-125



- > PX-125-10 1/2" Diameter for Class I and II
- > PX-125-20 with sleeve, fits 5/8" hole on 2" receiver

- 1/2" Diameter for Class I and II
- Hitch Pin with swivel Latch fits Most Receivers
- Chrome Plating

PX-200

- 5/8" Diameter for Class III and IV
- Hitch Pin with swivel Latch fits Most Receivers
- Chrome Plating



COUPLER LOCKS

CONCRETE LOCK?

- >> **NEW** CONSTRUCTION DESIGN WITH VARIOUS PATTERNS FOR OPTION
- >> **EXTRA** STRENGTH-HEAT-TREATED, DROP FORGED HARDENED STEEL ALLOY SHAFT
- >> **POWER** COATING AVAILABLE: RED, BLUE, BLACK



UCL-20

UCL-20

> Coupler lock

- fits 1/7/8" & 2" couplers
- Provides security for trailer in storage



UCL-40

UCL-40

- Universal coupler lock
- fits 1/7/8", 2" and 2-5/16" couplers
- Provides security for trailer in storage



UCL-50

UCL-50

- Universal coupler lock
- fits 1/7/8", 2" and 2-5/16" couplers
- Provides security for trailer in storage



TC-001

TC-001

> Coupler Lock

- Designed for use on latch-type couplers which have a locking hole through the handle
- Two keys are provided
- Coupler lock fits only Fast Lock style Couplers
- Keep threaded stud section of lock lightly lubricated



HPL-407

HPL-407

- Fits most couplers
- Pin be locked without the key
- Flat key design
- Nylon cap keeps dirt out
- Chrome Finish
- Pin can be locked without the key



RL-F07TS1

RL-F17TS1

RL-F07TS1

> RL-F07TS1 Flat key

- Fits all Std. 1/2" to 7/8" Span Narrow Lever Couplers also fits Trailer Door & Latches
- PVC cap keeps dirt out
- Chrome Finish



RL-F17TS1

> RL-F17TS1 Flat key > HPL-TS1 Round key

- Fits all Std. 1/2" to 7/8" Span Narrow Lever Couplers also fits Trailer Door & Latches
- PVC cap keeps dirt out
- Chrome Finish



RL-F07TS3

RL-F17TS3

RL-F17TS2

RL-F07TS3

- Fits Surge Brake Couplers with up to 3 1/2" Span
- PVC cap keeps dirt out
- Chrome Finish



RL-F17TS3

> RL-F17TS3 Flat key > HPL-TS3 Round key

- Fits Surge Brake Couplers with up to 3 1/2" Span
- PVC cap keeps dirt out
- Chrome Finish



RL-F17TS2

> RL-F17TS2 Flat key > HPL-TS2 Round key

- Fits couplers with up to 2 1/2"
- PVC cap keeps dirt out
- Chrome Finish



SAFETY CABLE

- > SC-01 6.4mm x 40", withstand 3,500lb. rating
- > SC-02 8.0mm x 40", withstand 5,000lb. rating
- > SC-03 10.0mm x 40", withstand 8,000lb. rating

- Quick links, hooks and cable loops are available



SC-03



SC-02



SC-01

ACCESSORIES

>> AVAILABLE IN VARIOUS DIMENSIONS

>> VINYL COATED STEEL CABLE FOR PROTECTION AGAINST SCRATCHES

>> IDEAL FOR MOTORCYCLES, SCOOTERS, AND ATVS



QUICK LINK

- > QL-01 1/4", 3,500lb. rating
- > QL-02 5/8", 5,000lb. rating



QL-01



QL-02

HOOK

- > QH-01 3,500lb. rating
- > QH-02 5,000lb. rating
- > QH-03 8,000lb. rating



QH-01



QH-02



QH-03

RC-01 • RC-02

- > RC-01 Black ABS
- > RC-02 ABS with chrome finish

- Receiver Tube covers/ Classes I-V
- Hitch receiver cover with 4- way flat holder



RC-01

RC-02

RC-03

- > RC-03-10 fit both 1-7/8 & 2" Trailer Ball
- > RC-03-20 fit 2 5/16" Trailer Ball

- Protects finish of trailer ball from rust and corrosion
- Durable & long lasting
- Expandable to fit both 1-7/8 & 2



RC-03

RC-04

- > RC-04-10 fit both 1-7/8 & 2" Trailer Ball
- > RC-04-20 fit 2 5/16" Trailer Ball

- Includes a 4-way flat wiring mounting pocket
- Protects finish of trailer ball & from rust and corrosion
- Durable & long lasting
- Expandable to fit both 1-7/8 & 2



RC-04



STL-407-01

STL-407-01

- > STL-407-01 cable with loop
- > STL-407-02 cable with Zinc Eye

- Available Size: Dia.: 10mm, 12mm. Length: 6', 8' 10'
- Nylon cap keeps dirt out
- Pin can be locked without the key



STL-F25-02

- > STL-F25-01 cable with loop, flat key
- > STL-T1510-01 cable with loop, round key
- > STL-F25-02 cable with Zinc Eye, flat key
- > STL-T1510-02 cable with Zinc Eye, round key

- Available Size: Dia.: 10mm, 12mm. Length: 6', 8' 10'
- PVC cap keeps dirt out
- Pin can be locked without the key



STL-F25-02



UL-801+SW-610

- > PADLOCK & CABLE
- > Cable diameter: 6, 8, 10, 12, 15, 20mm
- > Length: 4', 5', 6', 7'

- Heavy duty security
- Ideal for securing Bicycle, Motorcycle, Trailer.



UL-801+SW-610



AC-101

AC-101

- > ARMORED CABLE LOCK
- > Length: 4', 5', 6', 7'

- diameter: 18mm
- Steel sleeve resists cutting and sawing
- vinyl coating prevents scratches professional lock
- Integrated key slot cover helps protect lock from dirt



CL-W103

CL-W103

- > Cable lock
- > Cable diameter: 8, 10, 12mm
- > Length: 4', 5', 6', 7'

- Heavy duty security
- Ideal for securing Bicycle, Motorcycle, Trailer.



CL-W208

CL-W208

- > Cable lock
- > Cable diameter: 8, 10, 12mm
- > Length: 4', 5', 6', 7'

- Heavy duty security
- Ideal for securing Bicycle, Motorcycle, Trailer.



CL-W523

CL-W523

- > Chain lock
- > 8mm*8mm*90cm, 10mm*10mm*90cm

- Heavy duty security
- Ideal for securing Bicycle, Motorcycle, Trailer.
- Custom size in length available



CL-212

CL-212

- > Cable lock
- > Cable diameter: 8, 10, 12mm
- > Length: 4', 5', 6', 7'

- Heavy duty security
- Ideal for securing Bicycle, Motorcycle, Trailer.



CL-W623

CL-W623

- > Chain lock
- > 8mm*8mm*90cm, 10mm*10mm*90cm

- Heavy duty security
- Ideal for securing Bicycle, Motorcycle, Trailer.
- Custom size in length available



CL-W428

CL-W428

- > Cable lock
- > Cable diameter: 12, 15mm
- > Length: 4', 5', 6', 7'

- Heavy duty security
- Ideal for securing Bicycle, Motorcycle, Trailer.



WL-803

> Steering Wheel Lock

- WL-803-1 Length: 516mm
- WL-803-2 Length: 886mm
- WL-803-3 Length: 936mm

WL-804

> Steering Wheel Lock

- Resettable Code
- Length: 615 mm



WL-803-1

WL-803-3

WL-804

HITCH SELECTION GUIDE

VEHICLE TYPE	COMPACT	MID-SIZE CARS	FULL-SIZE CARS MINI-TRUCKS & VANS	TRUCKS, VANS & SUV'S
HITCH CLASS RATING				
CLASS I • WEIGHT CARRYING GROSS • TRAILER WT-Up to 2,000 lbs • WEIGHT CARRYING TONGUE • TRAILER-Up to 200 lbs	LIGHT DUTY 	LIGHT DUTY 	LIGHT DUTY 	LIGHT DUTY
CLASS II • WEIGHT CARRYING GROSS • TRAILER WT-Up to 3,500 lbs • WEIGHT CARRYING TONGUE • TRAILER-Up to 350 lbs		MEDIUM DUTY 	MEDIUM DUTY 	MEDIUM DUTY
CLASS III • WEIGHT CARRYING GROSS • TRAILER WT-Up to 5,000 lbs • WEIGHT CARRYING TONGUE • TRAILER-Up to 500 lbs			HEAVY DUTY 	HEAVY DUTY
CLASS IV • WEIGHT CARRYING GROSS • TRAILER WT-Up to 7,500 lbs • WEIGHT CARRYING TONGUE • TRAILER-Up to 750 lbs • WEIGHT CARRYING GROSS • TRAILER WT-Up to 12,000 lbs • WEIGHT CARRYING TONGUE • WEIGHT-Up to 1,200 lbs			HEAVY DUTY 	HEAVY DUTY
CLASS V • WEIGHT CARRYING GROSS • TRAILER WT-Up to 12,000 lbs • WEIGHT CARRYING TONGUE • WEIGHT-Up to 1,200 lbs • WEIGHT CARRYING GROSS • TRAILER WT-Up to 14,000 lbs • WEIGHT CARRYING TONGUE • WEIGHT-Up to 1,400 lbs				EXTRA HEAVY DUTY

The products listed in this catalog are only for reference, the actual sales depend on each region's commercial situation.